

TK-1-N / TK-1-P

The TK-1 is an outdoor garden torch fueled by either natural or propane gas.

CONSTRUCTION: Spun copper cone and base, 18 gauge (0.043" thick). Solid brass fittings. Perforated stainless steel burner screen.

GAS USAGE: **TK-1-N** (Natural gas)
22,500 BTUs per hour at 7" water column.

TK-1-P (Propane)
14,600 BTUs per hour at 11" water column.

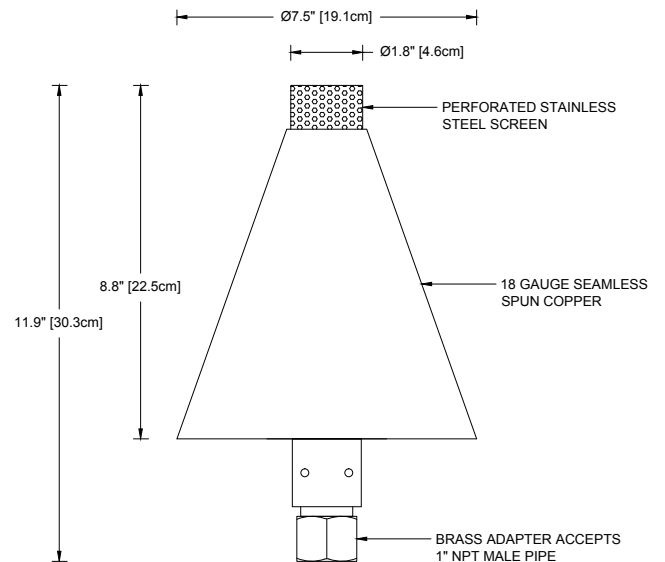
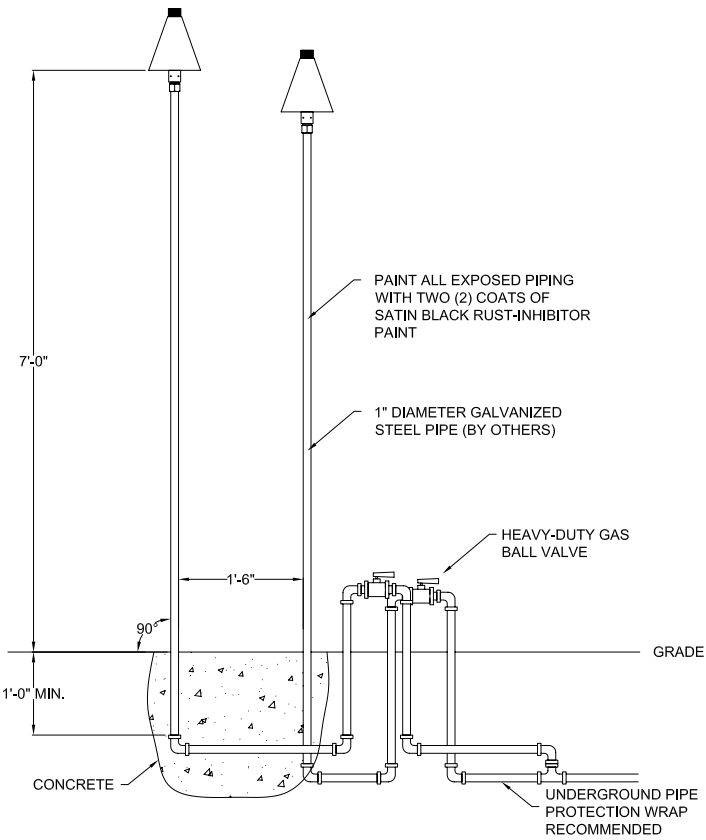
IGNITION: Manual ignition with extended lighter (by others).

INSTALLATION: 1" brass adapter has standard female pipe threads for connection to a 1" (NPT) male pipe thread.

1" brass shut-off valve is included.



Photo courtesy of The Gas Company, Hawaii



* Always check local codes prior to installation.

WEIGHT: 5 lbs. (6 lbs. with valve)

CSA / AGA design certified
CSA certification #190030-1711907

10-year fixture warranty

MADE IN USA



808-263-5717

Fax: 808-263-7961

www.BeachsideLighting.com