

TK-1-N / TK-1-P

The TK-1 is an outdoor garden torch fueled by natural or propane gas.

Construction Spun copper cone and base, 18 gauge (0.043" thick). Solid brass fittings. Perforated stainless steel burner screen.

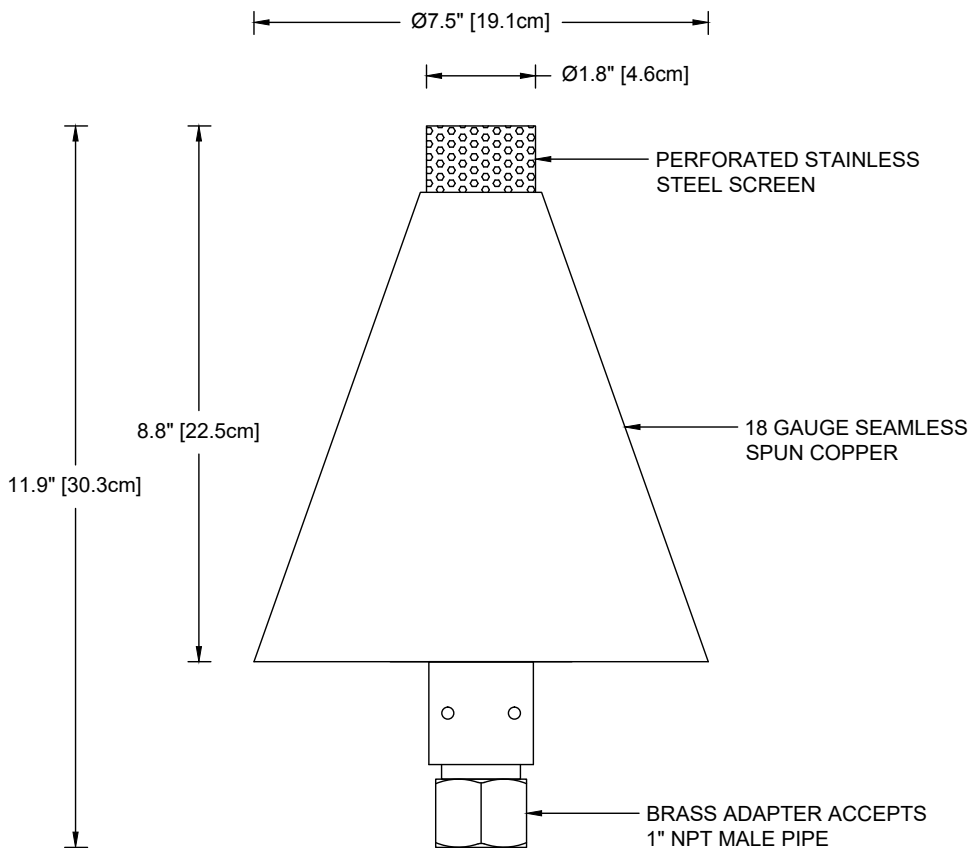
Gas Usage **TK-1-N** (Natural gas): 22,500 BTU per hour at 7" water column

TK-1-P (Propane): 14,600 BTU per hour at 11" water column

Ignition Manual ignition with extended lighter (by others)

Installation Brass adapter has 1" female threads for connection to a 1" NPT male pipe thread. 1" brass shut-off valve is included. (Mounting pipe not included.)

Weight 5 lbs / 2.3 kg (6 lbs / 2.7 kg with valve)



CSA / AGA design certified
CSA Listed US and Canada
ANSI Z21.97-2017
10-year fixture warranty

TK-1-N / TK-1-P

INSTALLATION DETAIL

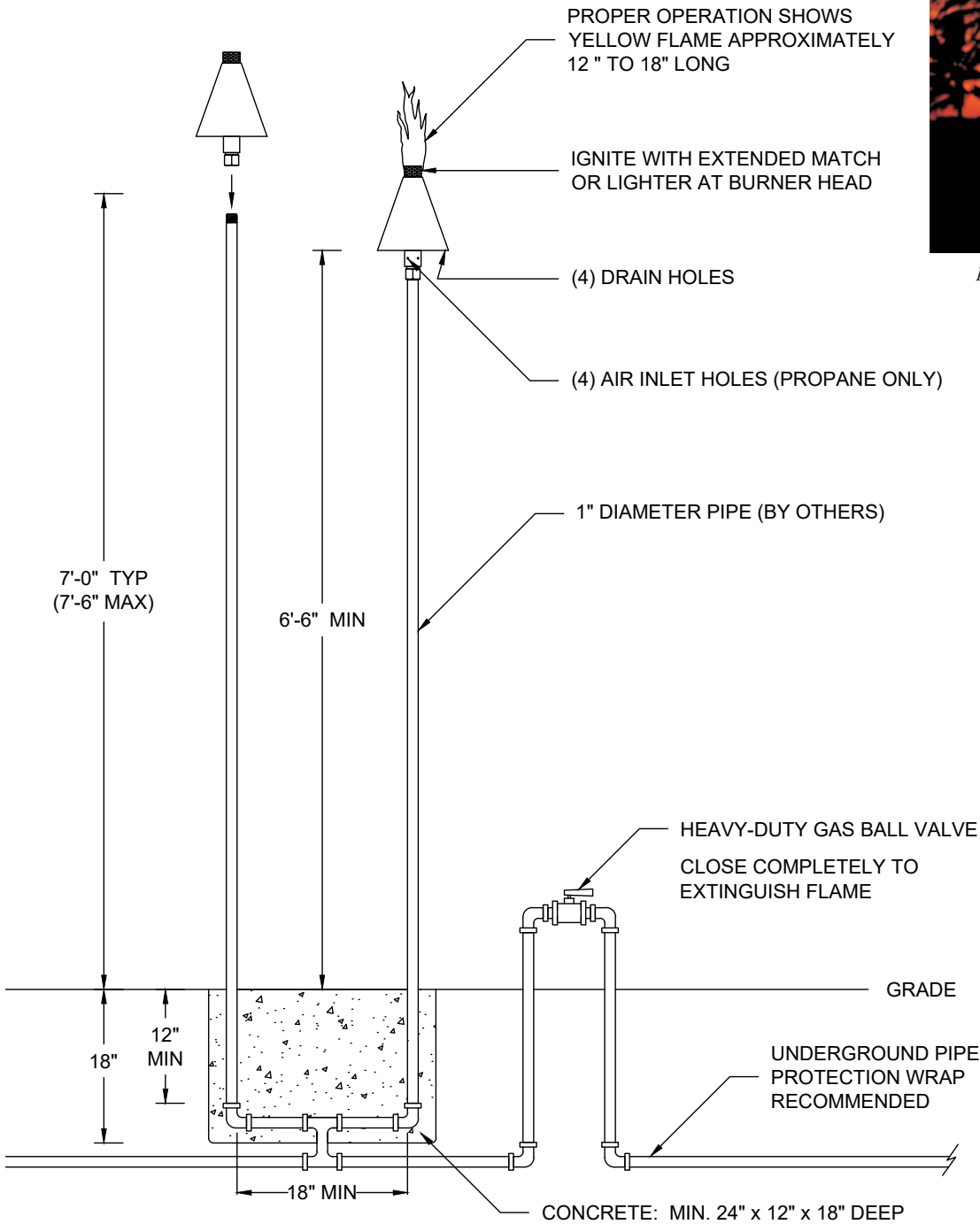


Photo courtesy of The Gas Company, Hawaii

Always check local codes prior to installation.



CSA / AGA design certified
 CSA Listed US and Canada
 ANSI Z21.97-2017
 10-year fixture warranty