

# TK-1 GAS TIKI TORCH



905 Kalanianaʻole Hwy, Spc. 2901  
Kailua, Hawaii 96734  
800-405-6732 • 808-263-5717 (Oahu)  
www.BeachsideLighting.com



CSA Listed  
U.S. and Canada

ANSI  
Z21.97-2017

Keep this instruction manual in a convenient place. The two included English and French Installation warning labels **MUST BE AFFIXED IN A CONSPICUOUS LOCATION** adjacent to the torch, such as on the gas supply pipe beneath the coupling.

## DANGER

### FIRE OR EXPLOSION HAZARD

If you smell gas:

- Shut off gas to the appliance.
- Extinguish any open flame.
- If odor continues, leave the area immediately.
- After leaving the area, call your gas supplier or fire department.

Failure to follow these instructions could result in fire or explosion, which could cause property damage, personal injury, or death.


## WARNING

Do not store or use gasoline, or other flammable vapors and liquids, in the vicinity of this or any other appliance.

An LP-cylinder not connected for use shall not be stored in the vicinity of this or any other appliance.

## WARNING: For Outdoor Use Only.

Installation and service must be performed by a qualified installer, service agency, or the gas supplier.

 **WARNING:** If the information in this manual is not followed exactly, a fire or explosion may result causing property damage, personal injury, or loss of life.

**INSTALLER:** Leave this manual with the appliance.  
**CONSUMER:** Retain this manual for future reference.

## DANGER



### CARBON MONOXIDE HAZARD

This appliance can produce carbon monoxide, which has no odor.

Using it in an enclosed space can kill you.

Never use this appliance in an enclosed space such as a camper, tent, car, or home.

**WARNING:** Ensure manual gas valve is completely closed after shutdown. Propane gas is heavier than air. If unignited gas flow is present, it will form 'pools' of gas at ground level.

Improper installation, adjustment, alteration, or service can cause property damage or injury. Refer to this instruction manual. For assistance or additional information, consult a qualified installer.

This appliance is direct match ignition. If gas flow is detected before attempting to light, STOP, shut off manual valve, and wait 5 minutes before attempting to light this appliance.

An appropriate gas pressure regulator must be installed upstream of torch assembly to ensure proper gas flow and pressure. See attached installation diagram.

## Gas Pressure Requirements

Minimum inlet gas supply pressure for adjustment purposes: 4.0 inches water column for natural gas, 8.0 in. for propane.

Maximum inlet gas supply pressure: 10.5 inches water column for natural gas, 13.0 in. for propane.

### **DANGER**

#### **RISQUED'INCENDIE OUD'EXPLOSION**

S'il y a une odeur de gaz:


- Coupez l'admission de gaz de l'appareil.
- Éteindre toute flamme nue.
- Si l'odeur persiste, éloignez-vous de l'appareil et appelez immédiatement le fournisseur de gaz ou le service d'incendie.

Ne pas observer ces instructions pourrait entraîner incendie ou explosion causant dommages matériels, blessures corporelles ou mort.

### **ADVERTISSEMENT**

Ne pas entreposer ni utiliser de l'essence ni d'autres vapeurs ou liquides inflammables dans le voisinage de l'appareil, ni de tout autre appareil.

Une bouteille de propane qui n'est pas raccordée en vue de son utilisation, ne doit pas être entreposée dans le voisinage de cet appareil ou de tout autre appareil.

 **ADVERTISSEMENT:** Si vous n'observez pas à la lettre les instructions contenues dans le présent document, un incendie ou une explosion pourrait survenir et entraîner des dommages matériel, des blessures ou la perte de vie.

 **ADVERTISSEMENT:** Pour utilisation à l'extérieur seulement.

L'installation et la réparation de cet appareil doivent être effectuées par un installateur qualifié, un centre de service licencié ou votre fournisseur de service du gaz.

**INSTALLATEUR:** Laissez ce manuel avec l'appareil.

**CONSOMMATEUR:** Conserver ce manuel pour référence future

### **DANGER**



#### **MONOXYDE DE CARBONE**

Cette appareil peut produire du monoxyde de carbone, un gaz inodore.

L'utilisation de cet appareil dans des espaces clos peut entraîner la mort.

Ne jamais utiliser cet appareil dans un espace clos comme un véhicule de camping, une tente, une automobile ou une maison.

Ne pas utiliser cet appareil s'il a été plongé, même partiellement, dans l'eau. Appeler un technicien qualifié pour inspecter l'appareil et remplacer toute partie du système de commande et toute commande qui a été plongée dans l'eau.

### **For safe and enjoyable use:**

- When an appliance is for connection to a fixed piping system, the installation must conform with local codes, or in the absence of local codes with the *National Fuel Gas Code*, ANSI Z223.1 • NFPA 54; *Natural Gas and Propane Installation Code*, CSA B149.1; or *Propane Storage and Handling Code*, CSA B149.2, as applicable.
- Solid fuels shall not be burned in this appliance.
- Keep the appliance area clear and free from combustible materials, gasoline, and other flammable vapors and liquids.
- The appliance must be isolated from the gas supply piping system by closing its individual manual shutoff valve during any pressure testing of the gas supply piping system at test pressures equal to or less than ½ psi (3.5 kPa)

Do not use this appliance if any part has been under water. Immediately call a qualified service technician to inspect the appliance and to replace any part of the control system and any gas control that has been under water.

### **Safe Operating Clearances**

- Minimum 4 feet (1.22 meters) to walls and combustible plants, furniture, etc.
- No overhead obstructions, such as roof overhangs, tree limbs, etc.

Installation is fire hazard tested and approved by CSA for clearances of 4 feet from any side wall and 6 feet to a ceiling above. However, Beachside Lighting only recommends open-air installations with no overhead obstructions.

### **Lighting and Extinguishing Instructions**

Turn on manual gas valve. Allow gas to flow for 2-3 seconds. Use an extended match or lighter to ignite torch by touching screen at top of torch head.

Shutdown: Close manual valve to extinguish flame.

### **Daily Maintenance**

- Keep appliance free and clear of flammable material.
- Brush debris from torch head.
- Clean insects and debris from fresh air inlet openings (propane torches only--see diagram).
- Use damp soapy cloth to clean copper body.
- Do not introduce cleaning compounds near printed instruction label or torch head.
- Inspect burner head and flame (see General Precautions below). If it is evident that the burner head is damaged, it must be replaced prior to the appliance being put into operation. Contact Beachside Lighting for appropriate replacement parts.

### **Gas Conversion**

Conversion requires a separate orifice and may require inlet holes or plugs. Contact Beachside Lighting for details.

### **General Precautions**

- Although agency tested, per ANSI standards, observed satisfactory wind and rain tests, this appliance should be extinguished in the event of moderate to severe storm conditions.
- Ensure rigidity of the steel conduit/support with another anchored device. DO NOT install this appliance in a location where the public or heavy objects may lean or bump into the assembly.
- Keep the holes in the base of the torch free from debris and insects (see diagram). These holes are for supplementary air intake and rain water drainage.
- The torch body can become hot after long operation. Do not touch torch until cooled.
- The flame should appear yellow with some blue at its base. This indicates proper burning.
- If gas supply pressure is between 4-5 in. water column, contact Beachside Lighting for a replacement main gas orifice.
- Gas supply cylinder must be constructed and marked in accordance with the U.S. Department of Transportation (D.O.T.) *Specifications for LP-Gas Cylinders*, or the Standard for *Cylinders, Spheres and Tubes for Transportation of Dangerous Goods and Commission*, CAN/CSA-B339, as applicable.
- Gas supply cylinder must be provided with a listed overfilling prevention device
- Gas supply cylinder must be provided with a cylinder connection device compatible with the connection for the appliance.

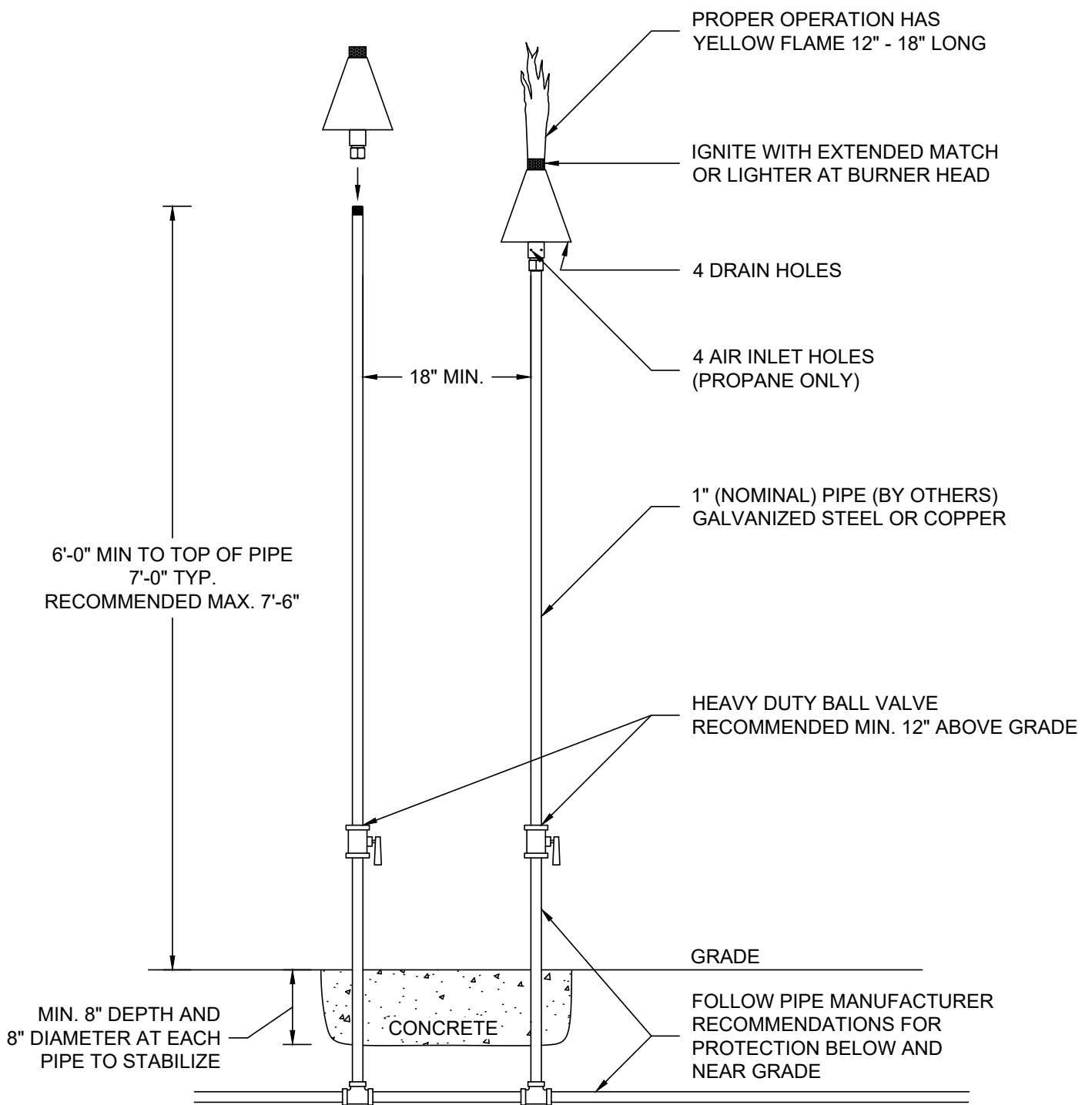
**Children and adults should be alerted to the hazards of high surface temperatures and should stay away to avoid burns or clothing ignition.**

**Young children should be carefully supervised when they are in the area of the appliance.**

**Clothing or other flammable materials should not be hung from the appliance or placed on or near the appliance.**

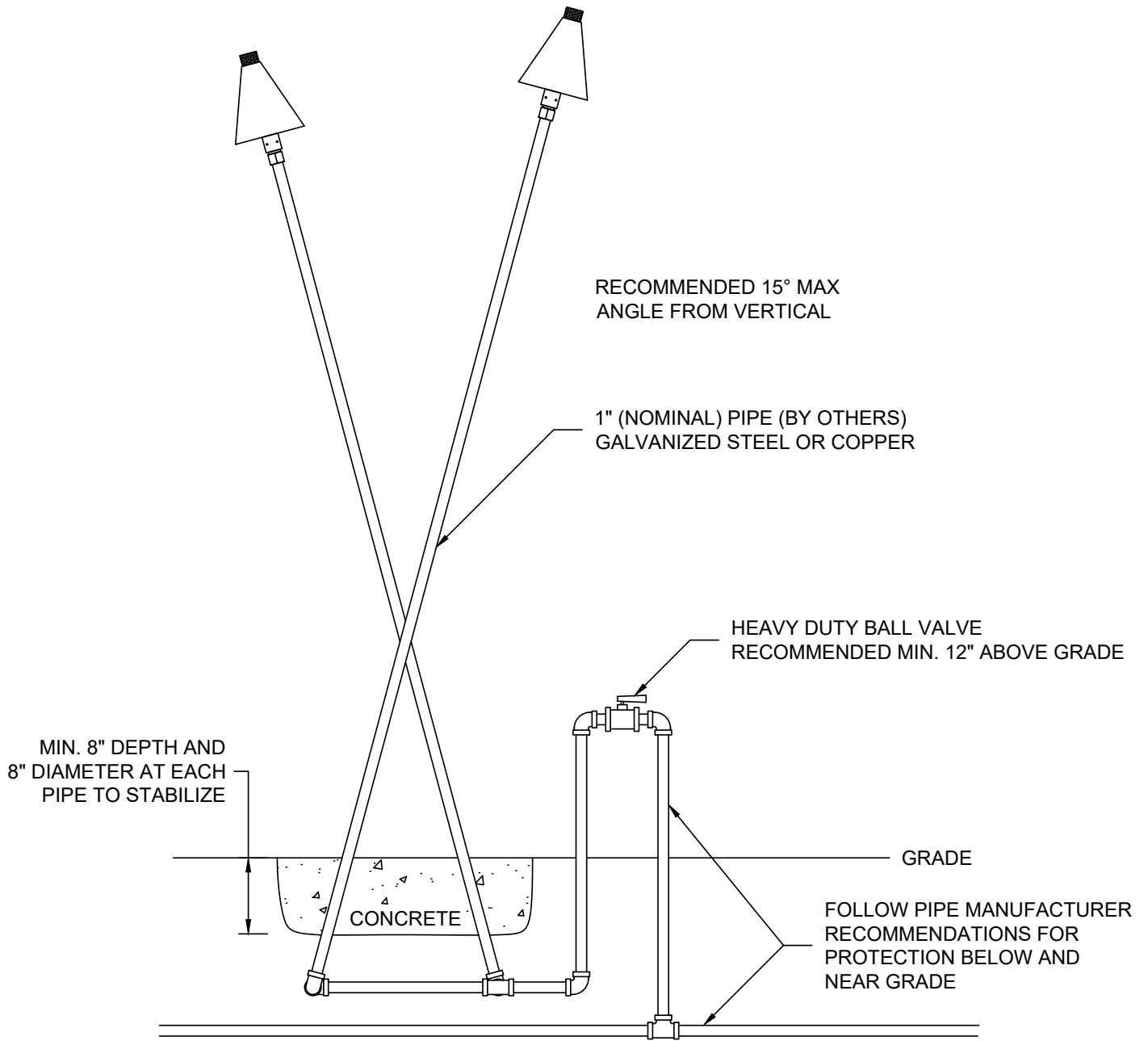
**Any guard, barrier, or other protective device removed for servicing the appliance shall be replaced prior to operating the appliance.**

**Installation and repair should be done by a qualified service person. The appliance should be inspected before use and at least annually by a qualified service person. More frequent cleaning may be required as necessary. It is imperative that the control compartment, burners, and circulating air passageways of the appliance are kept clean.**



INSTALLATION STYLE SHOWN IS ONLY AN EXAMPLE. CONSULT A LICENSED PLUMBER  
 AND FOLLOW APPLICABLE CODES FOR GAS PIPE LAYOUT AND INSTALLATION.

**WARNING:** Failure to position the parts in accordance with these diagrams or failure to use only parts  
 specifically approved with this appliance may result in property damage or personal injury.



INSTALLATION STYLE SHOWN IS ONLY AN EXAMPLE. CONSULT A LICENSED PLUMBER AND FOLLOW APPLICABLE CODES FOR GAS PIPE LAYOUT AND INSTALLATION.

**WARNING:** Failure to position the parts in accordance with these diagrams or failure to use only parts specifically approved with this appliance may result in property damage or personal injury.

**⚠ DANGER • FLAMMABLE GAS UNDER PRESSURE.**  
**LEAKING LP-GAS MAY CAUSE A FIRE OR EXPLOSION IF IGNITED**  
**CAUSING SERIOUS BODILY INJURY OR DEATH.**  
**CONTACT LP GAS SUPPLIER FOR REPAIRS, OR DISPOSAL OF THIS**  
**CYLINDER OR UNUSED LP-GAS.**

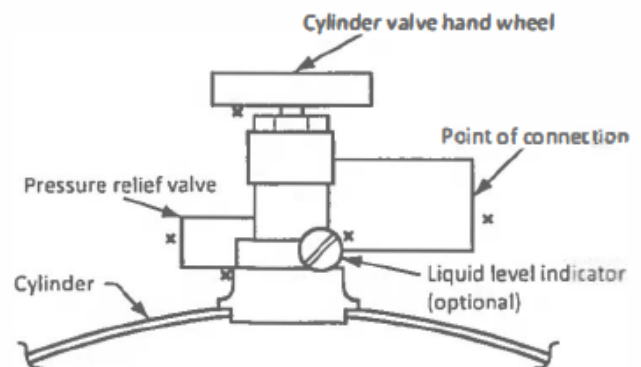
**⚠ WARNING • FOR OUTDOOR USE ONLY.\***  
**DO NOT USE OR STORE CYLINDER IN A BUILDING,**  
**GARAGE OR ENCLOSED AREA.**

**⚠ WARNING:**

- Know the odor of LP-gas. If you hear, see or smell leaking LP-gas, immediately get everyone away from the cylinder and call the Fire Department. Do not attempt repairs.
- Caution your LP-gas supplier to:
  - Be certain cylinder is purged of trapped air prior to first filling.
  - Be certain not to over fill the cylinder.
  - Be certain cylinder requalification date is checked.
- LP-gas is heavier than air and may settle in low places while dissipating.
- Contact with the liquid contents of cylinder will cause freeze burns to the skin.
- Do not allow children to tamper or play with cylinder.
- When not connected for use, keep cylinder valve turned off. Self contained appliances shall be limited to a cylinder of 30 lb capacity or less.
- Do not use, store or transport cylinder where it would be exposed to high temperatures. Relief valve may open allowing a large amount of flammable gas to escape.
- When transporting, keep cylinder secured in an upright position with cylinder valve turned off.

**WHEN CONNECTING FOR USE:**

- Use only in compliance with applicable codes.
- Read and follow manufacturer's instructions.
- Consult manufacturer's instructions concerning the cylinder connection provided with your appliance.
- Be sure regulator vent is not pointing up.
- Turn off all valves on the appliance.
- Do not check for gas leaks with a match or open flame. Apply soapy water at areas marked "X". Open cylinder valve. If bubble appears, close valve and have LP-gas service person make needed repairs. Also, check appliance valves and connections to make sure they do not leak before lighting appliance.
- Light appliance(s) following manufacturer's instructions.
- When appliance is not in use, keep the cylinder valve closed.



**DO NOT REMOVE, DEFACE, OR OBLITERATE THIS LABEL**  
**\*EXCEPT AS AUTHORIZED BY ANSI/NFPA 58.**

**⚠ DANGER.** Do not store a spare LP cylinder under or near a barbecue grill, or other heat sources.  
**NEVER** fill an LP cylinder beyond 80% full: a fire causing death or serious injury may occur.

## **⚠ DANGER — Gaz inflammable sous pression.**

**Une fuite de GPL peut causer un incendie ou une explosion si enflammée entraînant des blessures corporelles graves ou la mort. Communiquer avec le fournisseur de GPL pour les réparations ou pour disposer de cette bouteille ou du GPL non utilisé.**

### **⚠ Avertissement Pour usage à l'extérieur seulement.\***

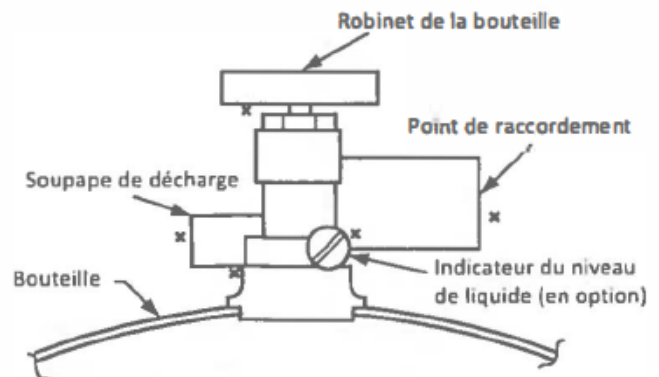
**Ne pas utiliser ni entreposer la bouteille dans un bâtiment, un garage ou un endroit fermé.**

#### **⚠ Avertissement :**

- Apprenez à reconnaître l'odeur du GPL. Si vous entendez, voyez ou sentez une fuite de GPL, éloignez immédiatement toutes les personnes de la bouteille et appelez le service d'incendie. Ne tentez aucune réparation.
- Avertissement pour le fournisseur de GPL :  
Assurez vous que la bouteille a été purgée de tout l'air avant de procéder au remplissage initial.  
Assurez-vous de ne pas trop remplir la bouteille.  
Assurez-vous que la date de requalification de la bouteille a été vérifiée.
- Le GPL est plus lourd que l'air et peut se déposer près du sol avant de se dissiper.
- Le contact avec le contenu liquide de la bouteille peut causer des brûlures à la peau par le froid.
- Ne pas permettre aux enfants de jouer avec la bouteille.
- Si la bouteille n'est pas raccordée pour utilisation, s'assurer que le robinet est fermé. Les bouteilles des appareils autonomes de cuisson en plein air doivent être limitées à une capacité d'au plus 30 lb.
- Ne pas utiliser, entreposer ni transporter une bouteille si elle risque d'être exposée à des températures élevées. La soupape de décharge pourrait s'ouvrir et libérer une grande quantité de gaz inflammable.
- Lors du transport, sécuriser la bouteille en position debout et s'assurer que le robinet est fermé.

#### **Lors du raccordement pour utilisation :**

- Utilisez uniquement conformément aux codes en vigueur.
- Lisez et suivez les instructions du fabricant.
- Consultez les instructions du fabricant visant le raccordement de la bouteille fournie avec l'appareil.
- Assurez-vous que l'évent du régulateur n'est pas dirigé vers le haut.
- Fermez tous les robinets sur l'appareil.
- Ne pas utiliser d'allumette ou de flamme nue pour vérifier la présence d'une fuite de gaz. Appliquez une solution d'eau savonneuse sur les zones marquées d'un « X ». Ouvrir le robinet de la bouteille. Si des bulles se forment, fermez le robinet et demandez à une personne qualifiée pour l'entretien d'appareils au GPL de faire les réparations requises. Avant d'allumer l'appareil, vérifiez aussi les robinets et les raccordements de l'appareil afin de vous assurer qu'il n'y a pas de fuite.
- Allumez l'appareil selon les instructions du fabricant.
- Lorsque vous n'utilisez pas l'appareil, gardez le robinet de la bouteille fermé.



**NE PAS RETIRER, BARBOUILLER OU EFFACER CETTE ÉTIQUETTE**

**\*SAUF DANS LES CAS PERMIS SELON LES NORMES L'ANSI/NFPA 58  
ou la CSA B149.2**

**⚠ DANGER.** Ne pas entreposer une bouteille de GPL sous l'appareil ou à proximité de celui-ci et de toute source de chaleur. Ne jamais remplir une bouteille de GPL à plus de 80 % de sa capacité : un incendie causant la mort ou des blessures graves peut se produire.